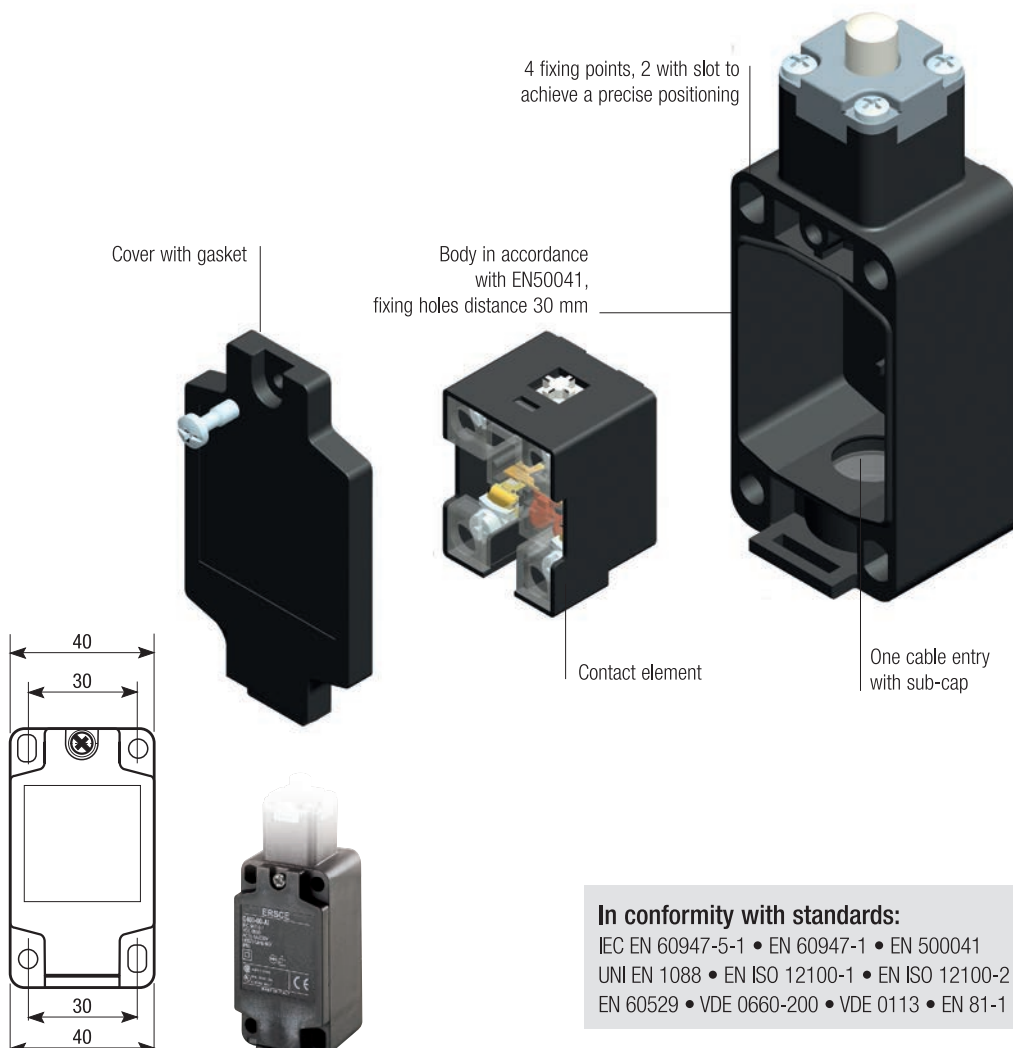


Limit switches E400 series



E400 series

The **E400** series is the most robust of Bremas position switches. Dimensions are in accordance with CENELEC EN 50041, 4 fixing holes with distance 30 mm. It is equipped with one hole for cable entry on the bottom of the switch. Available with metal actuators and thermoplastic or metal body.



Fixing
body in accordance with CENELEC EN50041, with 4 fixing holes with 30 mm horizontal distance.

Cable entry
1 cable entry on the bottom of the switch with thread:

In conformity with standards:

IEC EN 60947-5-1 • EN 60947-1 • EN 500041
UNI EN 1088 • EN ISO 12100-1 • EN ISO 12100-2 • IEC 529
EN 60529 • VDE 0660-200 • VDE 0113 • EN 81-1 • EN 81-2

Thread

Pg 13,5
M20x1,5
1/2" NPT (on request)
M12 connector (on request)

Series part no.

E400...
E401...
E402...
E400...M12



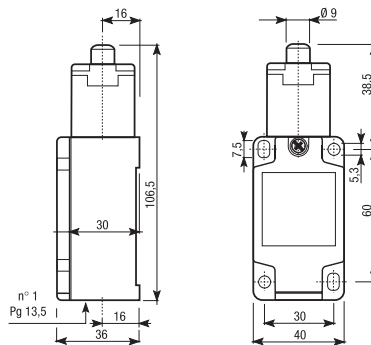
Steel plunger

Contact element		
1NO+1NC azione rapida 	00	
1NO+1NC azione lenta 	01	
1NO+1NC lenta sovrapp. 	02	
2NO azione lenta 	03	
2NC azione lenta 	04	
2NC azione rapida 	05	
Weight	kg	
Pack	pcs	

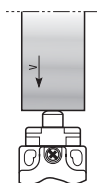
Cable entry				Contact travel
PG 13,5		M20 x 1,5		
Metal head Plastic body	Metal head Metal body	Metal head Plastic body	Metal head Metal body	
E40000AI*	E40000AM*	E40100AI*	E40100AM*	
E40001AI*	E40001AM*	E40101AI*	E40101AM*	
E40002AI	E40002AM	E40102AI	E40102AM	
E40003AI	E40003AM	E40103AI	E40103AM	
E40004AI	E40004AM	E40104AI	E40104AM	
E40005AI	E40005AM	E40105AI	E40105AM	
0,245	0,36	0,245	0,36	
1	1	1	1	

standard article

* form conforming to EN 50041



Drive cam operating parameters



V max (m/s)	0,5
Drive forces	
Minimum command force	9 N
Minimum forced opening force	28 N



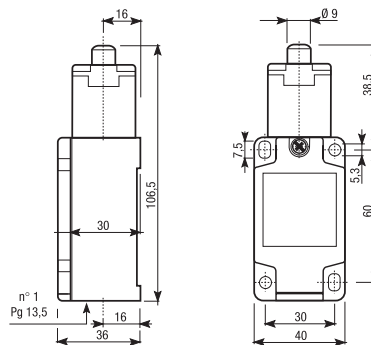
Steel plunger with rubber gasket

Contact element		
1NO+1NC snap action 13 21 14 22	00	Zb
1NO+1NC slow action 21 13 22 14	01	Zb
1NO+1NC slow overlap. 25 17 26 18	02	Zb
2NO slow action 13 23 14 24	03	X+X
2NC slow action 11 21 12 22	04	Y+Y
2NC snap action 11 21 12 22	05	Y+Y
Weight	kg	
Pack	pcs	

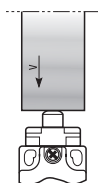
Cable entry				
PG 13,5		M20 x 1,5		Contact travel
Metal head Plastic body	Metal head Metal body	Metal head Plastic body	Metal head Metal body	
E40000AIS1*	E40000AMS1*	E40100AIS1*	E40100AMS1*	
E40001AIS1*	E40001AMS1*	E40101AIS1*	E40101AMS1*	
E40002AIS1	E40002AMS1	E40102AIS1	E40102AMS1	
E40003AIS1	E40003AMS1	E40103AIS1	E40103AMS1	
E40004AIS1	E40004AMS1	E40104AIS1	E40104AMS1	
E40005AIS1	E40005AMS1	E40105AIS1	E40105AMS1	
0,245	0,36	0,245	0,36	
1	1	1	1	

standard article

* form conforming to EN 50041



Drive cam operating parameters



V max (m/s)	0,5
Drive forces	
Minimum command force	9 N
Minimum forced opening force	28 N



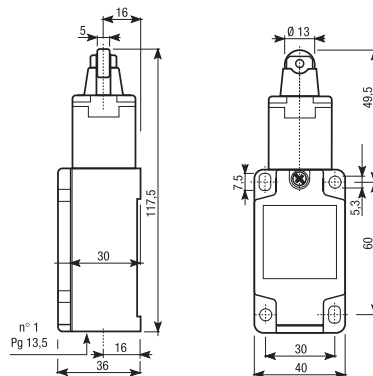
Steel roller plunger

Contact element		
1NO+1NC snap action 	00	
1NO+1NC slow action 	01	
1NO+1NC slow overlap. 	02	
2NO slow action 	03	
2NC slow action 	04	
2NC snap action 	05	
Weight	kg	
Pack	pcs	

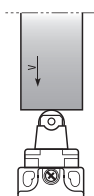
Cable entry				Contact travel
PG 13,5		M20 x 1,5		
Metal head Plastic body	Metal head Metal body	Metal head Plastic body	Metal head Metal body	
E40000BI*	E40000BM*	E40100BI*	E40100BM*	
E40001BI*	E40001BM*	E40101BI*	E40101BM*	
E40002BI	E40002BM	E40102BI	E40102BM	
E40003BI	E40003BM	E40103BI	E40103BM	
E40004BI	E40004BM	E40104BI	E40104BM	
E40005BI	E40005BM	E40105BI	E40105BM	
0,255	0,37	0,255	0,37	
1	1	1	1	

standard article

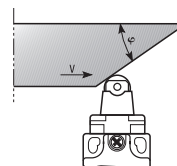
* form conforming to EN 50041



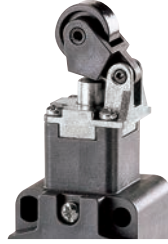
Drive cam operating parameters



V max (m/s)	0,5
Drive forces	
Minimum command force	9 N
Minimum forced opening force	28 N



φ	V max (m/s)
20°	1
30°	0,5
Drive forces	
Minimum command force	9 N
Minimum forced opening force	28 N

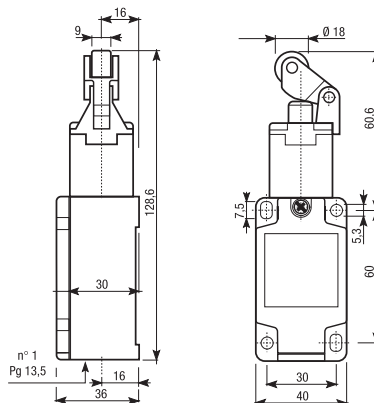


C

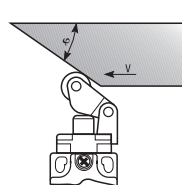
Thermoplastic roller lever, side actuation

Contact element	Cable entry				Contact travel
	PG 13,5		M20 x 1,5		
	Metal head Plastic body	Metal head Metal body	Metal head Plastic body	Metal head Metal body	
1NO+1NC snap action 00	E40000CI	E40000CM	E40100CI	E40100CM	
1NO+1NC slow action 01	E40001CI	E40001CM	E40101CI	E40101CM	
1NO+1NC slow overlap. 02	E40002CI	E40002CM	E40102CI	E40102CM	
2NO slow action 03	E40003CI	E40003CM	E40103CI	E40103CM	
2NC slow action 04	E40004CI	E40004CM	E40104CI	E40104CM	
2NC snap action 05	E40005CI	E40005CM	E40105CI	E40105CM	
Weight kg	0,255	0,37	0,255	0,37	
Pack pcs	1	1	1	1	

standard article



Drive cam operating parameters



φ	V max (m/s)
20°	1
30°	0,5

Drive forces	
Minimum command force	9 N
Minimum forced opening force	26 N

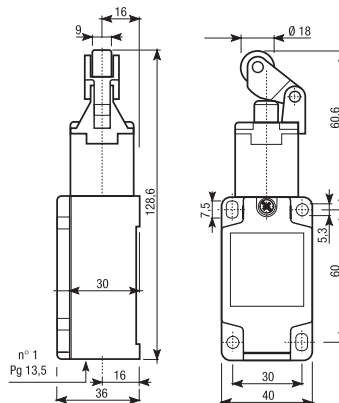


Thermoplastic roller lever with rubber gasket, side actuation

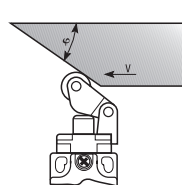
Contact element	
1NO+1NC snap action 	00
1NO+1NC slow action 	01
1NO+1NC slow overlap. 	02
2NO slow action 	03
2NC slow action 	04
2NC snap action 	05
Weight	kg
Pack	pcs

Cable entry				
PG 13,5		M20 x 1,5		Contact travel
Metal head Plastic body	Metal head Metal body	Metal head Plastic body	Metal head Metal body	
E40000CIS1	E40000CMS1	E40100CIS1	E40100CMS1	
E40001CIS1	E40001CMS1	E40101CIS1	E40101CMS1	
E40002CIS1	E40002CMS1	E40102CIS1	E40102CMS1	
E40003CIS1	E40003CMS1	E40103CIS1	E40103CMS1	
E40004CIS1	E40004CMS1	E40104CIS1	E40104CMS1	
E40005CIS1	E40005CMS1	E40105CIS1	E40105CMS1	
0,255	0,37	0,255	0,37	
1	1	1	1	

standard article



Drive cam operating parameters



φ	V max (m/s)
20°	1
30°	0,5

Drive forces	
Minimum command force	9 N
Minimum forced opening force	26 N



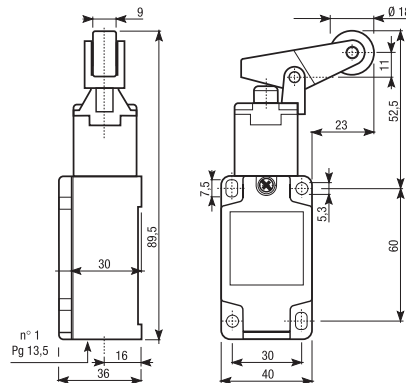
D

Thermoplastic roller lever, vertical actuation

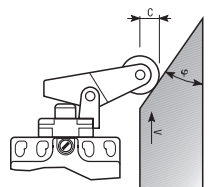
Contact element		
1NO+1NC snap action 	00	
1NO+1NC slow action 	01	
1NO+1NC slow overlap. 	02	
2NO slow action 	03	
2NC slow action 	04	
2NC snap action 	05	
Weight	kg	
Pack	pcs	

Cable entry					Contact travel
PG 13,5		M20 x 1,5		Contact travel	
Metal head Plastic body	Metal head Metal body	Metal head Plastic body	Metal head Metal body		
E40000DI	E40000DM	E40100DI	E40100DM		
E40001DI	E40001DM	E40101DI	E40101DM		
E40002DI	E40002DM	E40102DI	E40102DM		
E40003DI	E40003DM	E40103DI	E40103DM		
E40004DI	E40004DM	E40104DI	E40104DM		
E40005DI	E40005DM	E40105DI	E40105DM		
0,255	0,37	0,255	0,37		
1	1	1	1		

standard article



Drive cam operating parameters

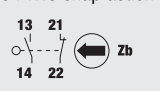
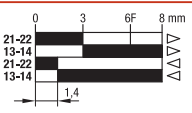
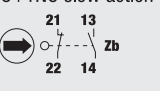
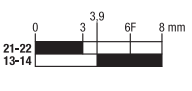
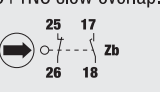
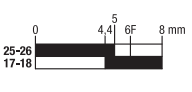
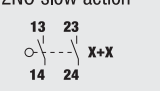
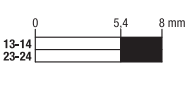
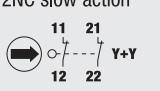
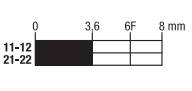
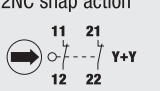
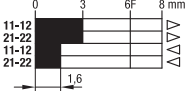


φ	V max (m/s)
20°	1
30°	0,5

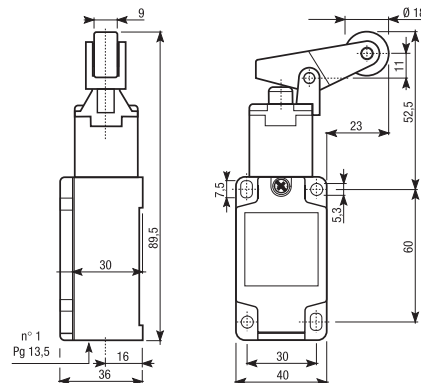
Drive forces	
Minimum command force	9 N
Minimum forced opening force	26 N



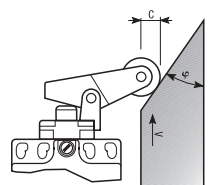
Thermoplastic roller lever with rubber gasket, vertical actuation

Contact element		Cable entry				Contact travel
		PG 13,5		M20 x 1,5		
		Metal head Plastic body	Metal head Metal body	Metal head Plastic body	Metal head Metal body	
1NO+1NC snap action 	00	E40000DIS1	E40000DMS1	E40100DIS1	E40100DMS1	
1NO+1NC slow action 	01	E40001DIS1	E40001DMS1	E40101DIS1	E40101DMS1	
1NO+1NC slow overlap. 	02	E40002DIS1	E40002DMS1	E40102DIS1	E40102DMS1	
2NO slow action 	03	E40003DIS1	E40003DMS1	E40103DIS1	E40103DMS1	
2NC slow action 	04	E40004DIS1	E40004DMS1	E40104DIS1	E40104DMS1	
2NC snap action 	05	E40005DIS1	E40005DMS1	E40105DIS1	E40105DMS1	
Weight	kg	0,255	0,37	0,255	0,37	
Pack	pcs	1	1	1	1	

 standard article



Drive cam operating parameters



φ	V max (m/s)
20°	1
30°	0,5

Drive forces	
Minimum command force	9 N
Minimum forced opening force	26 N



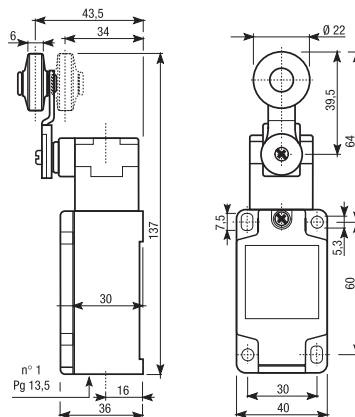
Thermoplastic roller lever

E

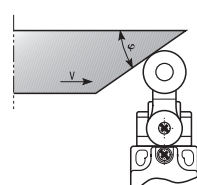
Contact element		
1NO+1NC snap action 13 21 14 22	Zb	00
1NO+1NC slow action 21 13 22 14	Zb	01
1NO+1NC slow overlap. 25 17 26 18	Zb	02
2NO slow action 13 23 14 24	X+X	03
2NC slow action 11 21 12 22	Y+Y	04
2NC snap action 11 21 12 22	Y+Y	05
Weight	kg	
Pack	pcs	

Cable entry				Contact travel
PG 13,5		M20 x 1,5		
Metal head Plastic body	Metal head Metal body	Metal head Plastic body	Metal head Metal body	
E40000EI	E40000EM	E40100EI	E40100EM	
E40001EI	E40001EM	E40101EI	E40101EM	
E40002EI	E40002EM	E40102EI	E40102EM	
E40003EI	E40003EM	E40103EI	E40103EM	
E40004EI	E40004EM	E40104EI	E40104EM	
E40005EI	E40005EM	E40105EI	E40105EM	
0,285	0,4	0,285	0,4	
1	1	1	1	

standard article



Drive cam operating parameters



φ	V max (m/s)
30°	1,5
45°	1
60°	0,75
60-90°	0,25

Drive forces	
Minimum command force	25 Ncm
Minimum forced opening force	45 Ncm



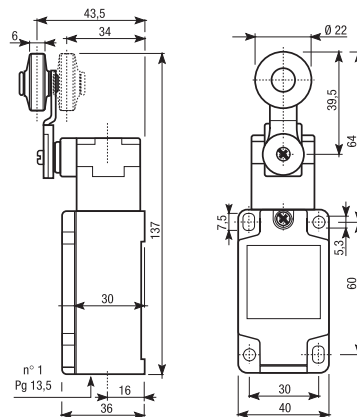
Steel roller lever

E•RA

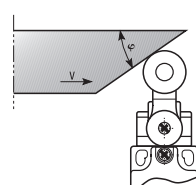
Contact element		
1NO+1NC snap action		00
1NO+1NC slow action		01
1NO+1NC slow overlap.		02
2NO slow action		03
2NC slow action		04
2NC snap action		05
Weight	kg	
Pack	pcs	

Cable entry				Contact travel
PG 13,5		M20 x 1,5		
Metal head Plastic body	Metal head Metal body	Metal head Plastic body	Metal head Metal body	
E40000EIRA	E40000EMRA	E40100EIRA	E40100EMRA	
E40001EIRA	E40001EMRA	E40101EIRA	E40101EMRA	
E40002EIRA	E40002EMRA	E40102EIRA	E40102EMRA	
E40003EIRA	E40003EMRA	E40103EIRA	E40103EMRA	
E40004EIRA	E40004EMRA	E40104EIRA	E40104EMRA	
E40005EIRA	E40005EMRA	E40105EIRA	E40105EMRA	
0,285	0,4	0,285	0,4	
1	1	1	1	

standard article



Drive cam operating parameters



φ	V max (m/s)
30°	1,5
45°	1
60°	0,75
60-90°	0,25

Drive forces	
Minimum command force	25 Ncm
Minimum forced opening force	45 Ncm



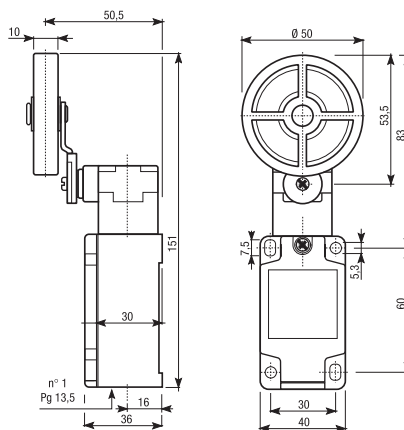
E•50

Ø50 mm rubber roller lever

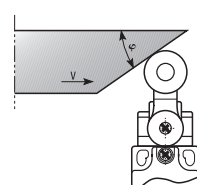
Contact element		
1NO+1NC snap action 	00	
1NO+1NC slow action 	01	
1NO+1NC slow overlap. 	02	
2NO slow action 	03	
2NC slow action 	04	
2NC snap action 	05	
Weight	kg	
Pack	pcs	

Cable entry					Contact travel
PG 13,5		M20 x 1,5		Contact travel	
Metal head Plastic body	Metal head Metal body	Metal head Plastic body	Metal head Metal body		
E40000EI50	E40000EM50	E40100EI50	E40100EM50		
E40001EI50	E40001EM50	E40101EI50	E40101EM50		
E40002EI50	E40002EM50	E40102EI50	E40102EM50		
E40003EI50	E40003EM50	E40103EI50	E40103EM50		
E40004EI50	E40004EM50	E40104EI50	E40104EM50		
E40005EI50	E40005EM50	E40105EI50	E40105EM50		
0,295	0,41	0,295	0,41		
1	1	1	1		

standard article



Drive cam operating parameters

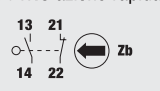
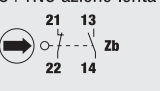
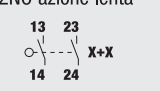
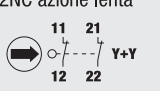
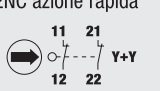


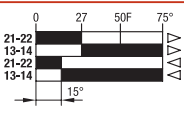
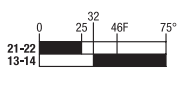
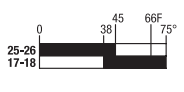
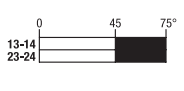
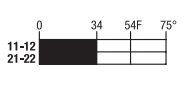
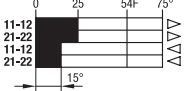
φ	V max (m/s)
30°	1,5
45°	1
60°	0,75
60-90°	0,25

Drive forces	
Minimum command force	25 Ncm
Minimum forced opening force	45 Ncm



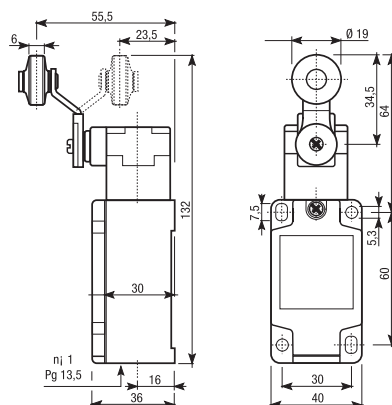
Leva piegata con rotella in plastica

Contact element		
1NO+1NC azione rapida 	00	
1NO+1NC azione lenta 	01	
1NO+1NC lenta sovrapp. 	02	
2NO azione lenta 	03	
2NC azione lenta 	04	
2NC azione rapida 	05	
Weight	kg	
Pack	pcs	

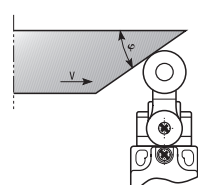
Cable entry				
PG 13,5		M20 x 1,5		Contact travel
Metal head Plastic body	Metal head Metal body	Metal head Plastic body	Metal head Metal body	
E40000II*	E40000IM*	E40100II*	E40100IM*	
E40001II*	E40001IM*	E40101II*	E40101IM*	
E40002II	E40002IM	E40102II	E40102IM	
E40003II	E40003IM	E40103II	E40103IM	
E40004II	E40004IM	E40104II	E40104IM	
E40005II	E40005IM	E40105II	E40105IM	
0,285	0,4	0,285	0,4	
1	1	1	1	

 standard article

* form conforming to EN 50041



Drive cam operating parameters



φ	V max (m/s)
30°	1,5
45°	1
60°	0,75
60-90°	0,25

Drive forces	
Minimum command force	25 Ncm
Minimum forced opening force	45 Ncm

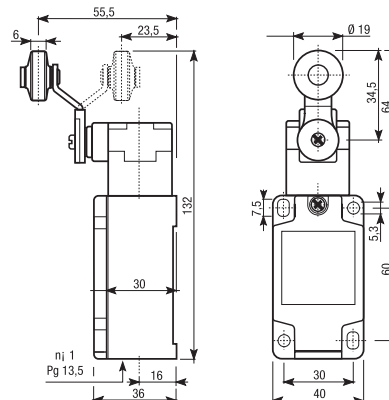


Steel roller lever

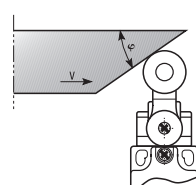
Contact element		
1NO+1NC snap action 13 21 14 22	Zb	00
1NO+1NC slow action 21 13 22 14	Zb	01
1NO+1NC slow overlap. 25 17 26 18	Zb	02
2NO slow action 13 23 14 24	X+X	03
2NC slow action 11 21 12 22	Y+Y	04
2NC snap action 11 21 12 22	Y+Y	05
Weight	kg	
Pack	pcs	

Cable entry					Contact travel
PG 13,5		M20 x 1,5		Contact travel	
Metal head Plastic body	Metal head Metal body	Metal head Plastic body	Metal head Metal body		
E40000IIRA	E40000IMRA	E40100IIRA	E40100IMRA		
E40001IIRA	E40001IMRA	E40101IIRA	E40101IMRA		
E40002IIRA	E40002IMRA	E40102IIRA	E40102IMRA		
E40003IIRA	E40003IMRA	E40103IIRA	E40103IMRA		
E40004IIRA	E40004IMRA	E40104IIRA	E40104IMRA		
E40005IIRA	E40005IMRA	E40105IIRA	E40105IMRA		
0,285	0,4	0,285	0,4		
1	1	1	1		

standard article



Drive cam operating parameters



φ	V max (m/s)
30°	1,5
45°	1
60°	0,75
60-90°	0,25

Drive forces	
Minimum command force	25 Ncm
Minimum forced opening force	45 Ncm

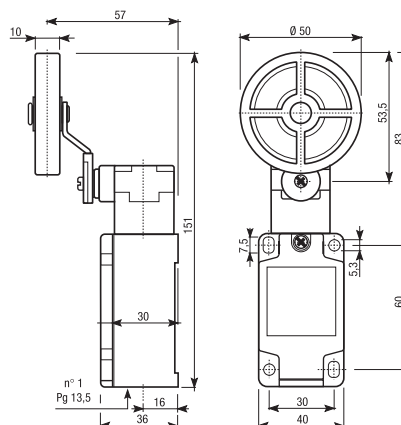


Ø50 mm rubber roller lever

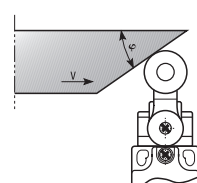
Contact element		
1NO+1NC snap action 	00	
1NO+1NC slow action 	01	
1NO+1NC slow overlap. 	02	
2NO slow action 	03	
2NC slow action 	04	
2NC snap action 	05	
Weight	kg	
Pack	pcs	

Cable entry					Contact travel
PG 13,5		M20 x 1,5		Contact travel	
Metal head Plastic body	Metal head Metal body	Metal head Plastic body	Metal head Metal body		
E40000II50	E40000IM50	E40100II50	E40100IM50		
E40001II50	E40001IM50	E40101II50	E40101IM50		
E40002II50	E40002IM50	E40102II50	E40102IM50		
E40003II50	E40003IM50	E40103II50	E40103IM50		
E40004II50	E40004IM50	E40104II50	E40104IM50		
E40005II50	E40005IM50	E40105II50	E40105IM50		
0,295	0,41	0,295	0,41		
1	1	1	1		

standard article



Drive cam operating parameters



φ	V max (m/s)
30°	1,5
45°	1
60°	0,75
60-90°	0,25

Drive forces	
Minimum command force	25 Ncm
Minimum forced opening force	45 Ncm

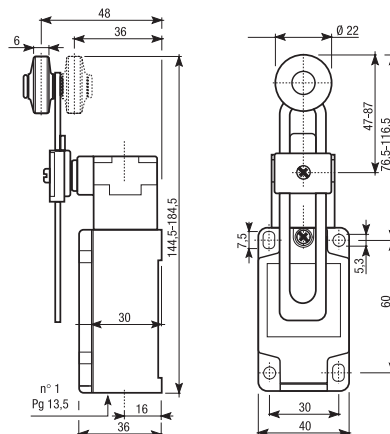


F

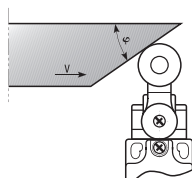
Thermoplastic roller variable length lever

Contact element		Cable entry				Contact travel
		PG 13,5		M20 x 1,5		
		Metal head Plastic body	Metal head Metal body	Metal head Plastic body	Metal head Metal body	
1NO+1NC snap action	00	E40000FI	E40000FM	E40100FI	E40100FM	
1NO+1NC slow action	01	E40001FI	E40001FM	E40101FI	E40101FM	
1NO+1NC slow overlap.	02	E40002FI	E40002FM	E40102FI	E40102FM	
2NO slow action	03	E40003FI	E40003FM	E40103FI	E40103FM	
2NC slow action	04	E40004FI	E40004FM	E40104FI	E40104FM	
2NC snap action	05	E40005FI	E40005FM	E40105FI	E40105FM	
Weight	kg	0,305	0,42	0,305	0,42	
Pack	pcs	1	1	1	1	

standard article



Drive cam operating parameters



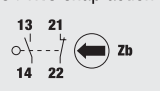
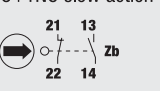
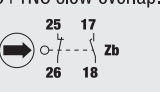
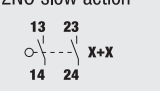
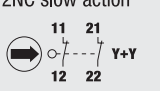
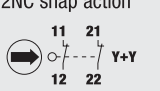
φ	V max (m/s)
30°	1,5
45°	1
60°	0,75
60-90°	0,25

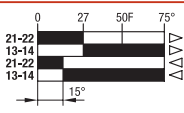
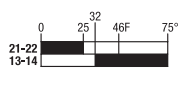
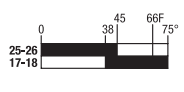
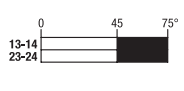
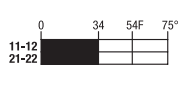
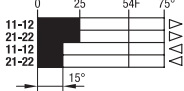
Drive forces	
Minimum command force	25 Ncm
Minimum forced opening force	45 Ncm



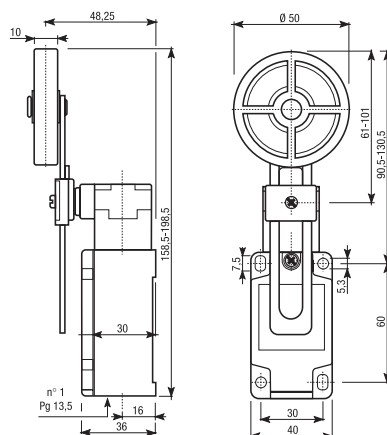
F•50

Ø50 mm rubber roller variable length lever

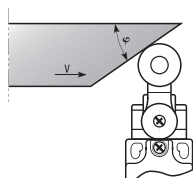
Contact element		
1NO+1NC snap action 	00	
1NO+1NC slow action 	01	
1NO+1NC slow overlap. 	02	
2NO slow action 	03	
2NC slow action 	04	
2NC snap action 	05	
Weight	kg	
Pack	pcs	

Cable entry				
PG 13,5		M20 x 1,5		Contact travel
Metal head Plastic body	Metal head Metal body	Metal head Plastic body	Metal head Metal body	
E40000FI50	E40000FM50	E40100FI50	E40100FM50	
E40001FI50	E40001FM50	E40101FI50	E40101FM50	
E40002FI50	E40002FM50	E40102FI50	E40102FM50	
E40003FI50	E40003FM50	E40103FI50	E40103FM50	
E40004FI50	E40004FM50	E40104FI50	E40104FM50	
E40005FI50	E40005FM50	E40105FI50	E40105FM50	
0,315	0,43	0,315	0,43	
1	1	1	1	

 standard article



Drive cam operating parameters



φ	V max (m/s)
30°	1,5
45°	1
60°	0,75
60-90°	0,25

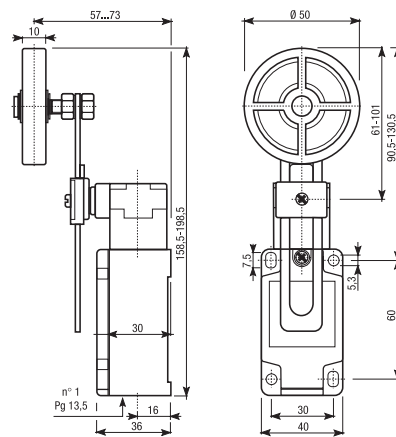
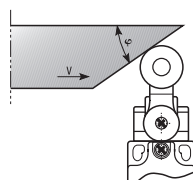
Drive forces	
Minimum command force	25 Ncm
Minimum forced opening force	45 Ncm


Ø50 mm rubber roller adjustable lever

Contact element		
1NO+1NC azione rapida 13 21 14 22	00	Zb
1NO+1NC azione lenta 21 13 22 14	01	Zb
1NO+1NC lenta sovrapp. 25 17 26 18	02	Zb
2NO azione lenta 13 23 14 24	03	X+X
2NC azione lenta 11 21 12 22	04	Y+Y
2NC azione rapida 11 21 12 22	05	Y+Y
Weight	kg	
Pack	pcs	

Cable entry				
PG 13,5		M20 x 1,5		Contact travel
Metal head Plastic body	Metal head Metal body	Metal head Plastic body	Metal head Metal body	
E40000FRI50	E40000FRM50	E40100FRI50	E40100FRM50	
E40001FRI50	E40001FRM50	E40101FRI50	E40101FRM50	
E40002FRI50	E40002FRM50	E40102FRI50	E40102FRM50	
E40003FRI50	E40003FRM50	E40103FRI50	E40103FRM50	
E40004FRI50	E40004FRM50	E40104FRI50	E40104FRM50	
E40005FRI50	E40005FRM50	E40105FRI50	E40105FRM50	
0,325	0,44	0,325	0,44	
1	1	1	1	

standard article


Drive cam operating parameters


φ	V max (m/s)
30°	1,5
45°	1
60°	0,75
60-90°	0,25

Drive forces	
Minimum command force	25 Ncm
Minimum forced opening force	45 Ncm

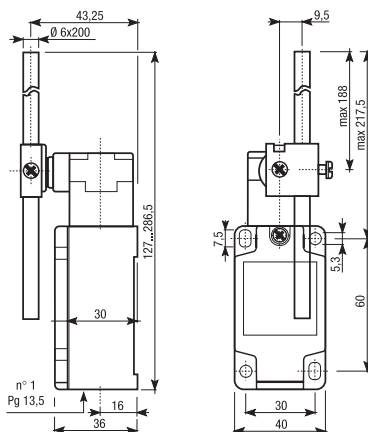


Side rotary adjustable Ø6 mm glass fiber rod

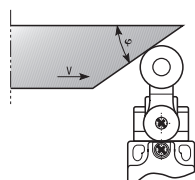
Contact element		Cable entry				Contact travel
		PG 13,5		M20 x 1,5		
		Metal head Plastic body	Metal head Metal body	Metal head Plastic body	Metal head Metal body	
1NO+1NC snap action	00	E40000GI*	E40000GM*	E40100GI*	E40100GM*	
1NO+1NC slow action	01	E40001GI*	E40001GM*	E40101GI*	E40101GM*	
1NO+1NC slow overlap.	02	E40002GI	E40002GM	E40102GI	E40102GM	
2NO slow action	03	E40003GI	E40003GM	E40103GI	E40103GM	
2NC slow action	04	E40004GI	E40004GM	E40104GI	E40104GM	
2NC snap action	05	E40005GI	E40005GM	E40105GI	E40105GM	
Weight	kg	0,21	0,425	0,21	0,425	
Pack	pcs	1	1	1	1	

standard article

* form conforming to EN 50041



Drive cam operating parameters



φ	V max (m/s)
30°	1,5
45°	1
60°	0,75
60-90°	0,25

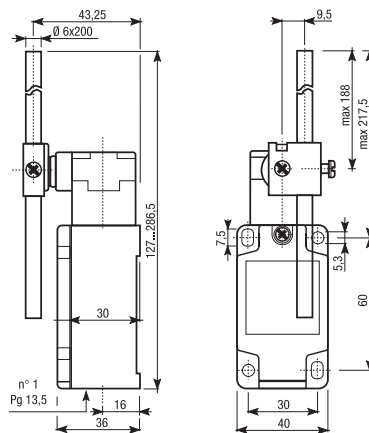
Drive forces	
Minimum command force	25 Ncm
Minimum forced opening force	45 Ncm



Side rotary adjustable Ø6 mm aluminium rod

Contact element		Cable entry				Contact travel
		PG 13,5		M20 x 1,5		
		Metal head Plastic body	Metal head Metal body	Metal head Plastic body	Metal head Metal body	
1NO+1NC snap action 13 21 14 22	00	E40000HI*	E40000HM*	E40100HI*	E40100HM*	
1NO+1NC slow action 21 13 22 14	01	E40001HI*	E40001HM*	E40101HI*	E40101HM*	
1NO+1NC slow overlap. 25 17 26 18	02	E40002HI	E40002HM	E40102HI	E40102HM	
2NO slow action 13 23 14 24	03	E40003HI	E40003HM	E40103HI	E40103HM	
2NC slow action 11 21 12 22	04	E40004HI	E40004HM	E40104HI	E40104HM	
2NC snap action 11 21 12 22	05	E40005HI	E40005HM	E40105HI	E40105HM	
Weight	kg	0,21	0,425	0,21	0,425	
Pack	pcs	1	1	1	1	

standard article



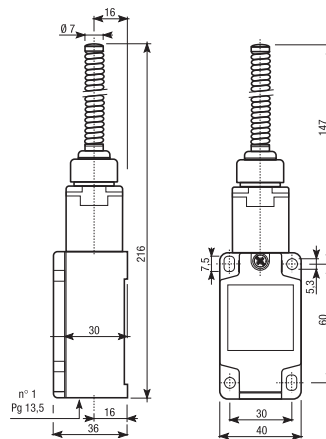


Flexible rod

Contact element	
1NO+1NC snap action 13 21 14 22	00
1NO+1NC slow action 21 13 22 14	01
1NO+1NC slow overlap. 25 17 26 18	02
2NO slow action 13 23 14 24	03
2NC slow action 11 21 12 22	04
2NC snap action 11 21 12 22	05
Weight	kg
Pack	pcs

Cable entry				
PG 13,5		M20 x 1,5		Contact travel
Metal head Plastic body	Metal head Metal body	Metal head Plastic body	Metal head Metal body	
E40000LI	E40000LM	E40100LI	E40100LM	
E40001LI	E40001LM	E40101LI	E40101LM	
E40002LI	E40002LM	E40102LI	E40102LM	
E40003LI	E40003LM	E40103LI	E40103LM	
E40004LI	E40004LM	E40104LI	E40104LM	
E40005LI	E40005LM	E40105LI	E40105LM	
0,28	0,395	0,28	0,395	
1	1	1	1	

standard article



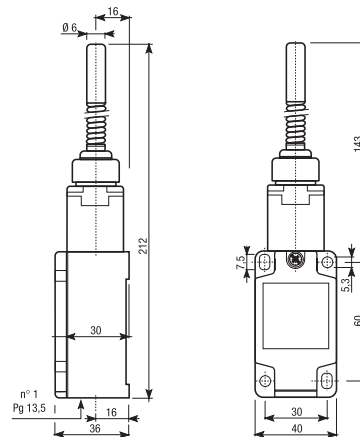


Flexible rod with plastic terminal

Contact element	
1NO+1NC snap action 13 21 14 22 Zb	00
1NO+1NC slow action 21 13 22 14 Zb	01
1NO+1NC slow overlap. 25 17 26 18 Zb	02
2NO slow action 13 23 14 24 X+X	03
2NC slow action 11 21 12 22 Y+Y	04
2NC snap action 11 21 12 22 Y+Y	05
Weight	kg
Pack	pcs

Cable entry				
PG 13,5		M20 x 1,5		Contact travel
Metal head Plastic body	Metal head Metal body	Metal head Plastic body	Metal head Metal body	
E40000LPI	E40000LPM	E40100LPI	E40100LPM	 0 15° 21-22 13-14 21-22 13-14 6°
E40001LPI	E40001LPM	E40101LPI	E40101LPM	 0 14° 0 10° 21-22 13-14
E40002LPI	E40002LPM	E40102LPI	E40102LPM	 0 13° 0 10° 25-26 17-18
E40003LPI	E40003LPM	E40103LPI	E40103LPM	 0 13° 13-14 23-24
E40004LPI	E40004LPM	E40104LPI	E40104LPM	 0 8° 11-12 21-22
E40005LPI	E40005LPM	E40105LPI	E40105LPM	 0 11° 11-12 21-22 11-12 21-22 5°
0,28	0,395	0,28	0,395	
1	1	1	1	

■ standard article



LS



Cat's whisker

Contact element	
1NO+1NC snap action 13 21 14 22	00
1NO+1NC slow action 21 13 22 14	01
1NO+1NC slow overlap. 25 17 26 18	02
2NO slow action 13 23 14 24	03
2NC slow action 11 21 12 22	04
2NC snap action 11 21 12 22	05
Weight	kg
Pack	pcs

Cable entry				
PG 13,5		M20 x 1,5		Contact travel
Metal head Plastic body	Metal head Metal body	Metal head Plastic body	Metal head Metal body	
E40000LSI	E40000LSM	E40100LSI	E40100LSM	
E40001LSI	E40001LSM	E40101LSI	E40101LSM	
E40002LSI	E40002LSM	E40102LSI	E40102LSM	
E40003LSI	E40003LSM	E40103LSI	E40103LSM	
E40004LSI	E40004LSM	E40104LSI	E40104LSM	
E40005LSI	E40005LSM	E40105LSI	E40105LSM	
0,28	0,395	0,28	0,395	
1	1	1	1	

standard article

